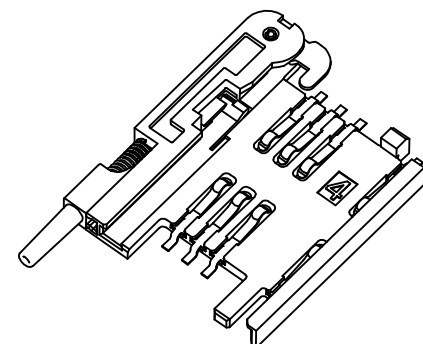
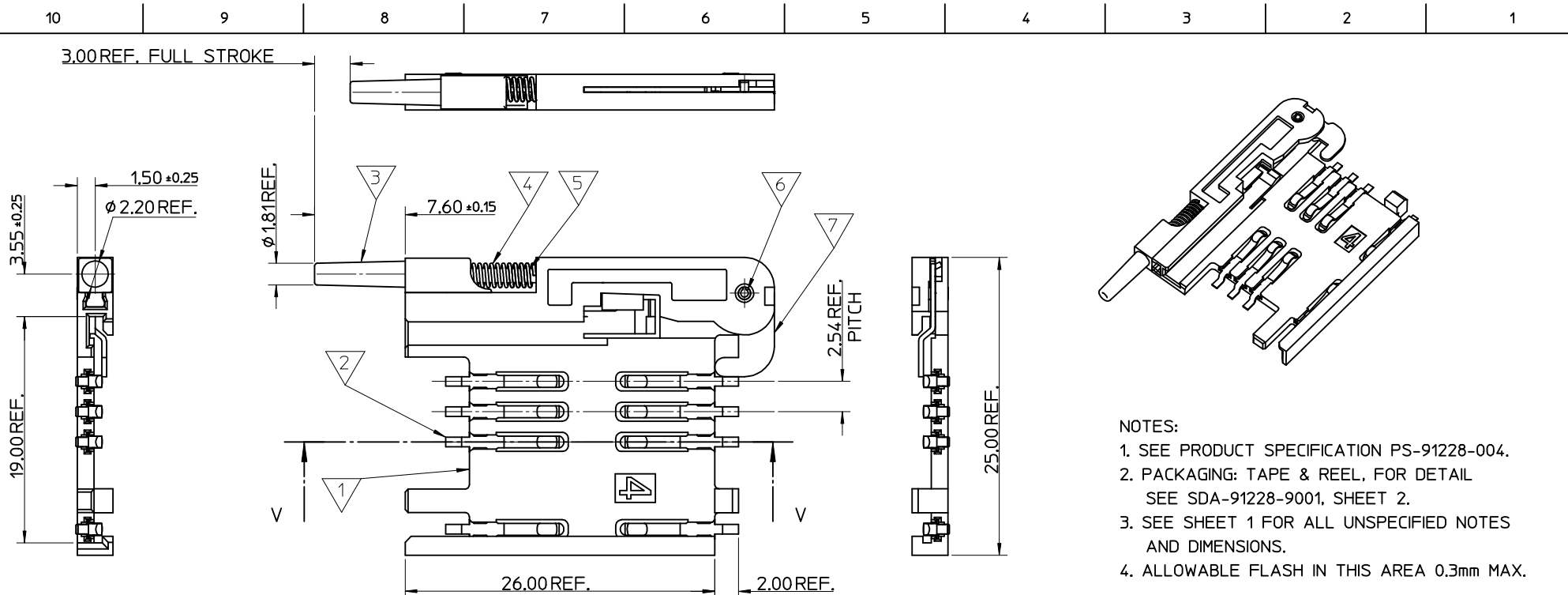


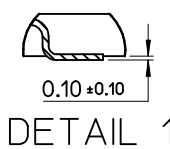
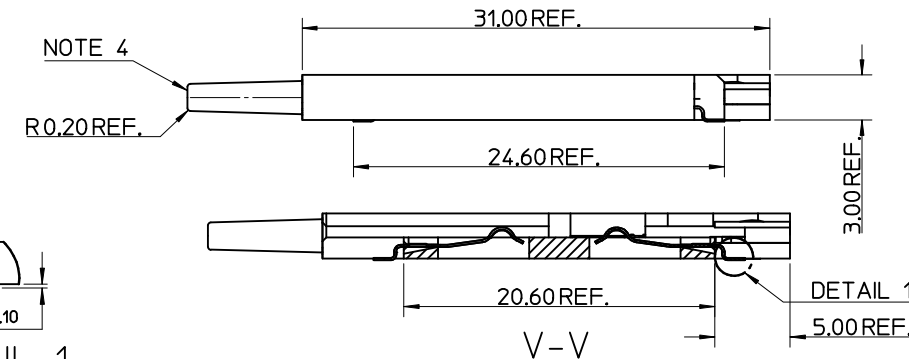
- NOTES:
1. SEE PRODUCT SPECIFICATION PS-99020-0071.
 2. PACKAGING: TAPE & REEL, FOR DETAIL SEE SDA-91228-9001, SHEET 1
 3. FOR ALL UNSPECIFIED DIMENSIONS AND NOTES SEE SHEET 1.

ITEM	COMPONENT	QTY	MATERIAL
▽	HOUSING		LIQUID CRYSTAL POLYMER (LCP) 30% GLASS FILL, UL94 V-0, COLOUR: BLACK
▽	TERMINAL		0.15 PHOSPHOR BRONZE. 0.14m MIN Au OVER Pd/Ni IN CONTACT AREA 2.54m MIN Sn ON SMT TAILS
▽	PUSH BUTTON		GF POLYAMIDE 6T/66. BLACK.
▽	COIL SPRING		0.25 REF THK STAINLESS STEEL
▽	PUSH ROD		0.4 REF THK STAINLESS STEEL
▽	C-PIN		STEEL
▽	LEVER		0.4 REF THK STAINLESS STEEL

SEE SHEET 1 EC NO: IPG2017-0662 DRWN: KOBRI/EN01 2017/01/10 CHKD: APPR: STGR/FFIN 2017/03/24	QUALITY SYMBOLS ▽ = 0 ▽ = 0	GENERAL TOLERANCES (UNLESS SPECIFIED) <table border="1"> <thead> <tr> <th></th> <th>mm</th> <th>INCH</th> </tr> </thead> <tbody> <tr> <td>4 PLACES</td> <td>± ---</td> <td>± ---</td> </tr> <tr> <td>3 PLACES</td> <td>± ---</td> <td>± ---</td> </tr> <tr> <td>2 PLACES</td> <td>± 0.05</td> <td>± ---</td> </tr> <tr> <td>1 PLACE</td> <td>± 0.1</td> <td>± ---</td> </tr> </tbody> </table>		mm	INCH	4 PLACES	± ---	± ---	3 PLACES	± ---	± ---	2 PLACES	± 0.05	± ---	1 PLACE	± 0.1	± ---	DIMENSION STYLE MM ONLY DRAWN BY: RFORREY DATE: 2006/11/27 CHECKED BY: DATE: APPROVED BY: FDUGGAN DATE: 2006/11/27 MATERIAL NO.: EFOLAN DATE: 2006/11/27	SCALE 5:1 DESIGN UNITS METRIC THIRD ANGLE PROJECTION	TITLE SIM CONNECTOR ASSY
		mm	INCH																	
	4 PLACES	± ---	± ---																	
	3 PLACES	± ---	± ---																	
2 PLACES	± 0.05	± ---																		
1 PLACE	± 0.1	± ---																		
		DRAFT WHERE APPLICABLE MUST REMAIN WITHIN DIMENSIONS	MATERIAL NO. 912283002	DOCUMENT NO. SD-91228-001	SHEET NO. 2 OF 5															
			THIS DRAWING CONTAINS INFORMATION THAT IS PROPRIETARY TO MOLEX INCORPORATED AND SHOULD NOT BE USED WITHOUT WRITTEN PERMISSION																	

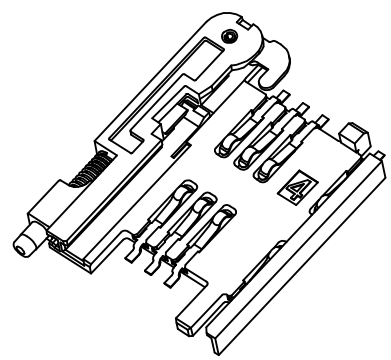
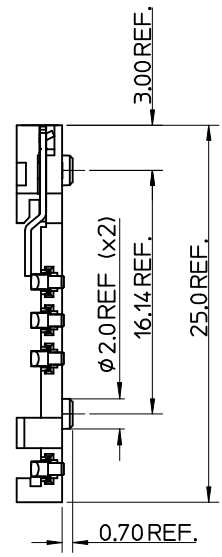
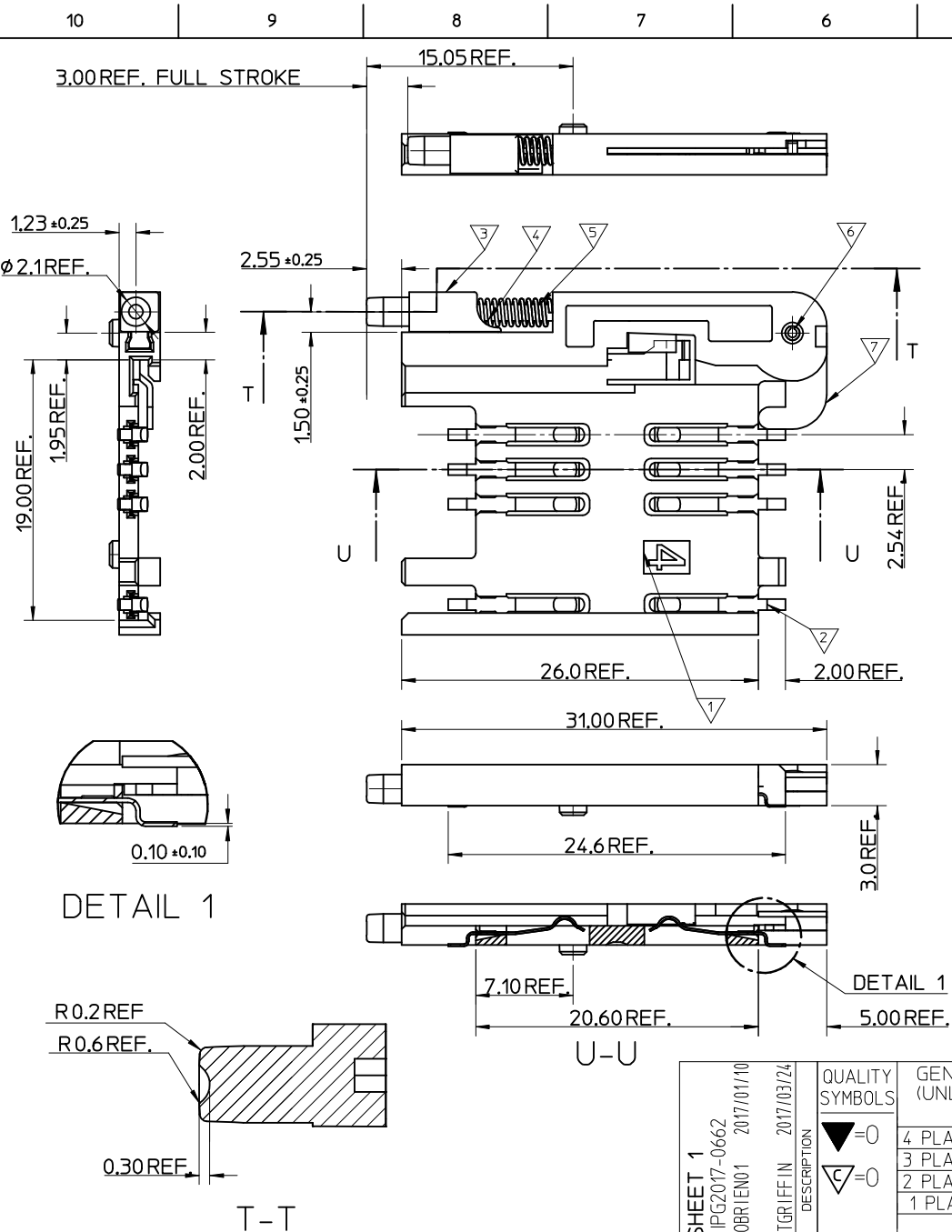


- NOTES:
1. SEE PRODUCT SPECIFICATION PS-91228-004.
 2. PACKAGING: TAPE & REEL, FOR DETAIL SEE SDA-91228-9001, SHEET 2.
 3. SEE SHEET 1 FOR ALL UNSPECIFIED NOTES AND DIMENSIONS.
 4. ALLOWABLE FLASH IN THIS AREA 0.3mm MAX.



ITEM	COMPONENT	QTY	MATERIAL
1	HOUSING	1	LIQUID CRYSTAL POLYMER (LCP) 30% GLASS FILL, UL94 V-0, COLOUR: BLACK
2	TERMINAL	8	0.15 PHOSPHOR BRONZE. 0.14mm MIN Au OVER Pd/Ni IN CONTACT AREA 2.54mm MIN Sn ON SMT TAILS
3	PUSH BUTTON	1	GF POLYAMIDE 6T/66, NATURAL
4	COIL SPRING	1	0.25 REF THK STAINLESS STEEL
5	PUSH ROD	1	0.4 REF THK STAINLESS STEEL
6	C-PIN	1	STEEL
7	LEVER	1	0.4 REF THK STAINLESS STEEL

SEE SHEET 1 EC NO: IPGZ07-0662 DRW: KOBRIEN01 2017/01/10 CHKD: APPR: STGRIFFIN 2017/03/24	QUALITY SYMBOLS ▽ = 0 ◻ = 0	GENERAL TOLERANCES (UNLESS SPECIFIED)		DIMENSION STYLE MM ONLY		SCALE 5:1	DESIGN UNITS METRIC	THIRD ANGLE PROJECTION	
		4 PLACES	± ---	± ---	DRAWN BY RFORREY	DATE 2006/11/27	TITLE SIM CONNECTOR ASSY		
		3 PLACES	± ---	± ---	CHECKED BY FDUGGAN	DATE 2006/11/27			
		2 PLACES	± 0.05	± ---	APPROVED BY EFOLAN	DATE 2006/11/27	MOLEX INCORPORATED DOCUMENT NO. SD-91228-001 SHEET NO. 3 OF 5		
1 PLACE	± 0.1	± ---	MATERIAL NO. 912283005						
DRAFT WHERE APPLICABLE MUST REMAIN WITHIN DIMENSIONS				SIZE A3	THIS DRAWING CONTAINS INFORMATION THAT IS PROPRIETARY TO MOLEX INCORPORATED AND SHOULD NOT BE USED WITHOUT WRITTEN PERMISSION				



- NOTES:
1. SEE PRODUCT SPECIFICATION PS-99020-0071.
 2. PACKAGING: TAPE & REEL, FOR DETAIL SEE SDA-91228-9001, SHEET 2.
 3. SEE SHEETS 1 & 2 FOR ALL UNSPECIFIED NOTES AND DIMENSIONS.

ITEM	COMPONENT	QTY	MATERIAL
▽	HOUSING	1	LIQUID CRYSTAL POLYMER (LCP) 30% GLASS FILL, UL94 V-0, COLOUR: BLACK
▽	TERMINAL	8	0.15 PHOSPHOR BRONZE. 0.14mm MIN Au OVER Pd/Ni IN CONTACT AREA 2.54mm MIN Sn ON SMT TAILS
▽	PUSH BUTTON	1	GF POLYAMIDE 6T/66, BLACK.
▽	COIL SPRING	1	0.25 REF THK STAINLESS STEEL
▽	PUSH ROD	1	0.4 REF THK STAINLESS STEEL
▽	C-PIN	1	STEEL
▽	LEVER	1	0.4 REF THK STAINLESS STEEL

DETAIL 1

DETAIL 1

T-T

U-U

SEE SHEET 1
 EC NO: IPG2017-0662
 DRW: NIKOBRI/EM01 2017/01/10
 CHKD:
 APPR: STGR/FFIN 2017/03/24

QUALITY SYMBOLS
 ▽ = 0
 ▽ = 0

GENERAL TOLERANCES (UNLESS SPECIFIED)

	mm	INCH
4 PLACES	± ---	± ---
3 PLACES	± ---	± ---
2 PLACES	± 0.05	± ---
1 PLACE	± 0.1	± ---
ANGULAR ± 2 °		

DRAFT WHERE APPLICABLE
 MUST REMAIN
 WITHIN DIMENSIONS

DIMENSION STYLE
MM ONLY

SCALE
5:1

DESIGN UNITS
METRIC

THIRD ANGLE PROJECTION

DRAWN BY: RFORREY
 DATE: 2006/11/27

CHECKED BY: FDUGGAN
 DATE: 2006/11/27

APPROVED BY: EFOLAN
 DATE: 2006/11/27

MATERIAL NO.
912283006

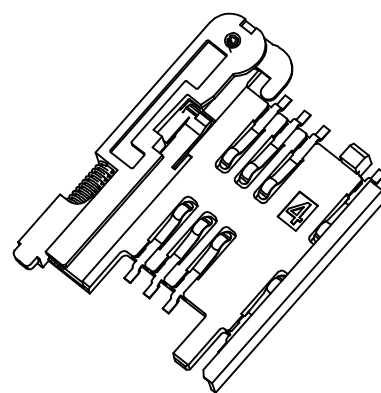
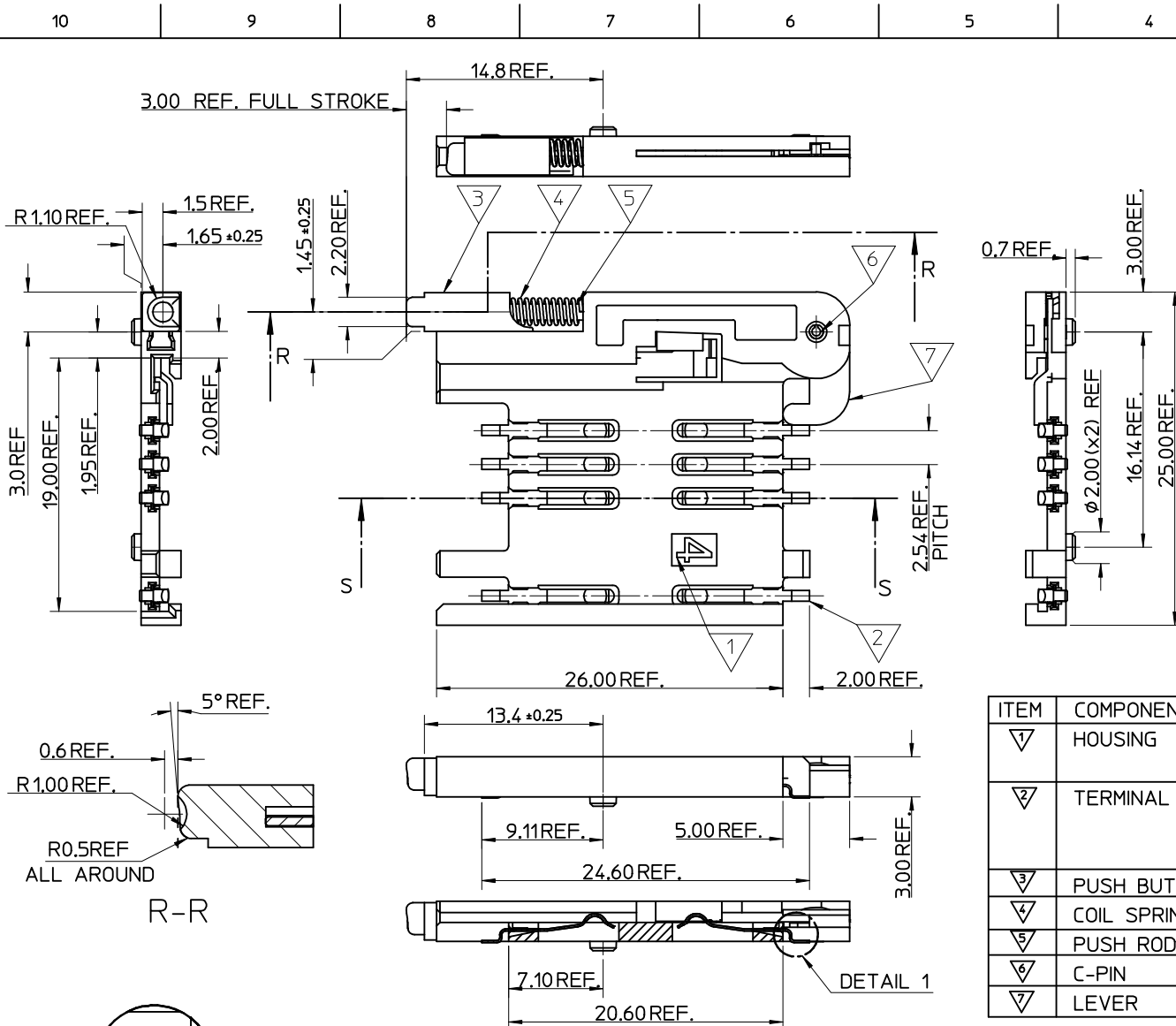
TITLE
SIM CONNECTOR ASSY

MOLEX MOLEX INCORPORATED

DOCUMENT NO.
SD-91228-001

SHEET NO.
4 OF 5

THIS DRAWING CONTAINS INFORMATION THAT IS PROPRIETARY TO MOLEX INCORPORATED AND SHOULD NOT BE USED WITHOUT WRITTEN PERMISSION



- NOTES:
1. SEE PRODUCT SPECIFICATION PS-99020-0071.
 2. PACKAGING: TAPE & REEL, FOR DETAIL SEE SDA-91228-9001, SHEET 1.
 3. SEE SHEET 1 FOR ALL UNSPECIFIED NOTES AND DIMENSIONS.

ITEM	COMPONENT	QTY	MATERIAL
▽	HOUSING	1	LIQUID CRYSTAL POLYMER (LCP) 30% GLASS FILL, UL94 V-0, COLOUR: BLACK
▽	TERMINAL	8	0.15 PHOSPHOR BRONZE. 0.14μm MIN Au OVER Pd/Ni IN CONTACT AREA 2.54μm MIN Sn ON SMT TAILS
▽	PUSH BUTTON	1	GF POLYAMIDE 6T/66, BLUE
▽	COIL SPRING	1	0.25 REF THK STAINLESS STEEL
▽	PUSH ROD	1	0.4 REF THK STAINLESS STEEL
▽	C-PIN	1	STEEL
▽	LEVER	1	0.4 REF THK STAINLESS STEEL

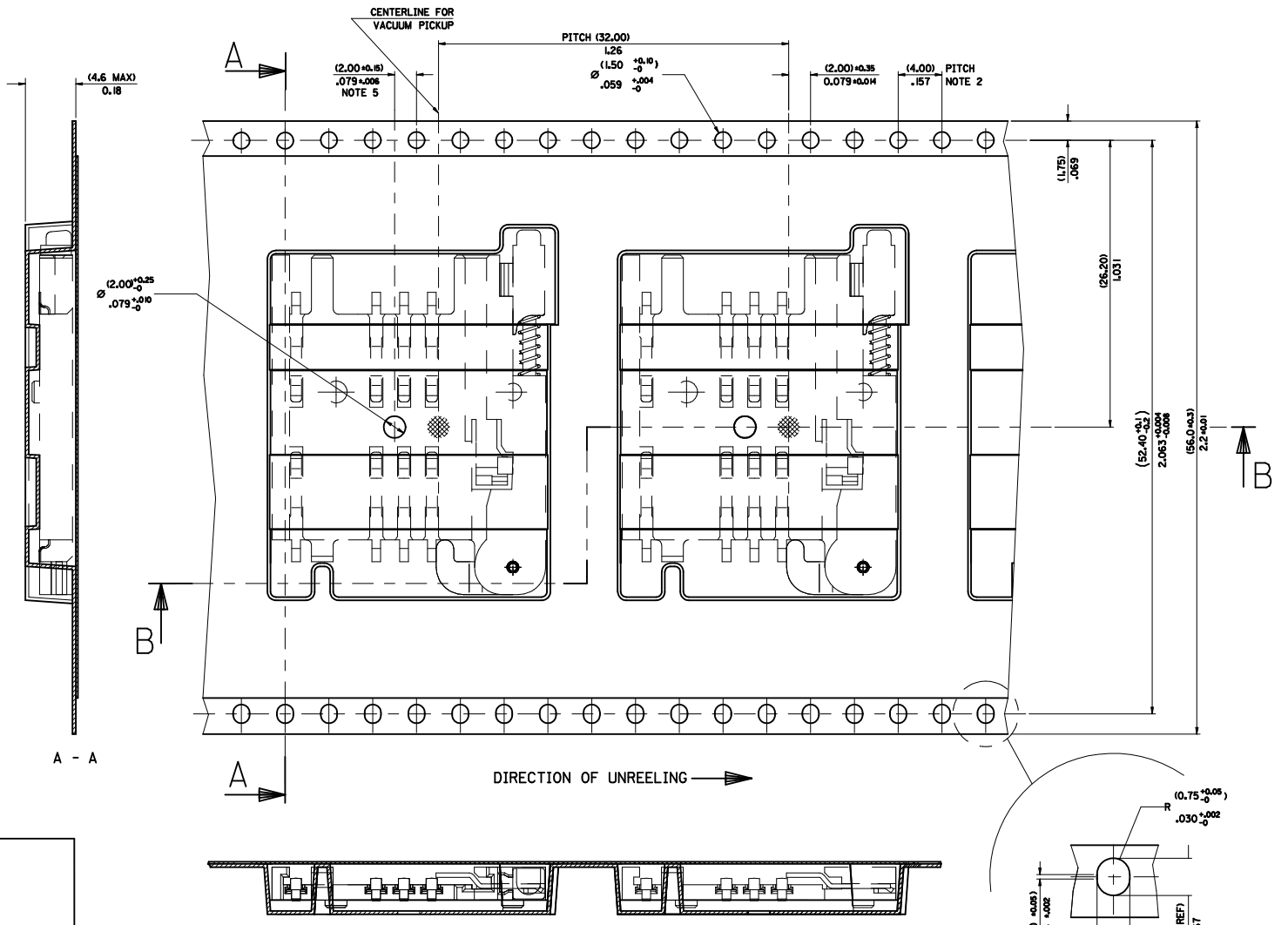
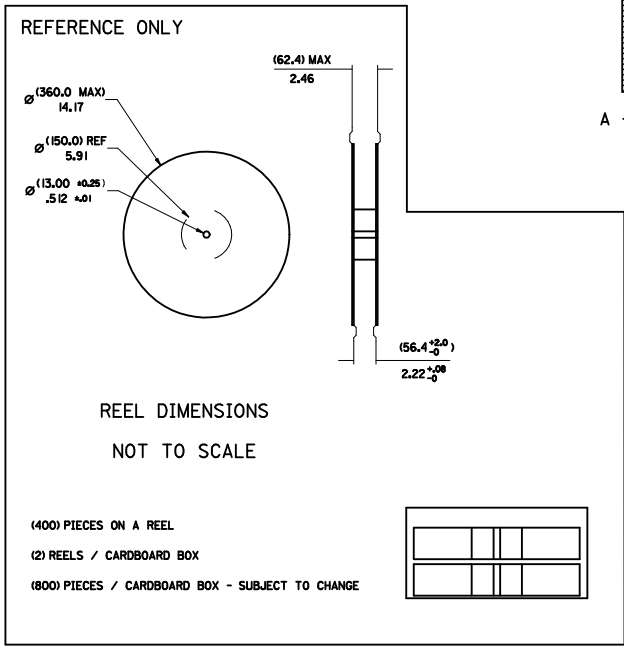
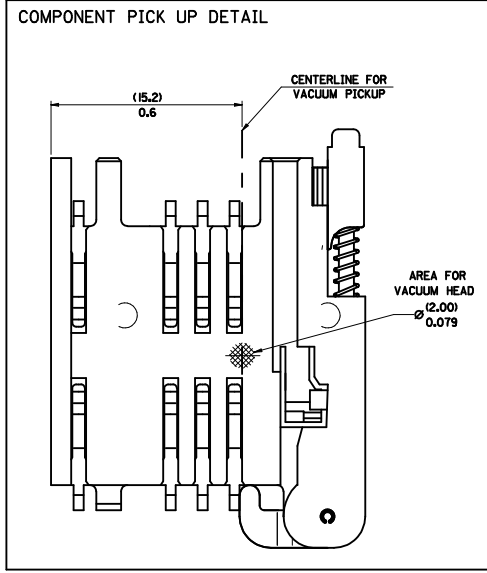
REV	DESCRIPTION
1	SEE SHEET 1
2	EC NO: P92017-0662
3	DRW: KOBRIEN01 2017/01/10
4	CHKD:
5	APPR: STORIFFIN 2017/03/24

QUALITY SYMBOLS	GENERAL TOLERANCES (UNLESS SPECIFIED)
▽ = 0	mm INCH
▽ = 0	4 PLACES ± --- ± ---
	3 PLACES ± --- ± ---
	2 PLACES ± 0.05 ± ---
	1 PLACE ± 0.1 ± ---
	ANGULAR ± 2 °

DIMENSION STYLE		SCALE	DESIGN UNITS	THIRD ANGLE PROJECTION
MM ONLY		5:1	METRIC	☉
DRAWN BY	DATE	TITLE		
RFORREY	2006/11/27	SIM CONNECTOR ASSY		
CHECKED BY	DATE			
FDUGGAN	2006/11/27			
APPROVED BY	DATE			
EFOLAN	2006/11/27			
MATERIAL NO.		DOCUMENT NO.		
912283007		SD-91228-001		

MOLEX INCORPORATED		SHEET NO.
		5 OF 5
DRAFT WHERE APPLICABLE MUST REMAIN WITHIN DIMENSIONS		
SIZE	THIS DRAWING CONTAINS INFORMATION THAT IS PROPRIETARY TO MOLEX INCORPORATED AND SHOULD NOT BE USED WITHOUT WRITTEN PERMISSION	
A3		

PART NO	DESCRIPTION	TYPE OF REEL
91228-0001 & 91228-3001	SIM CONNECTOR WITHOUT PEGS	CARDBOARD
91228-0002 & 91228-3002	SIM CONNECTOR WITH PEGS	CARDBOARD
91228-0012 & 91228-3012	SIM CONNECTOR WITH PEGS	CARDBOARD
91228-0007 & 91228-3007	SIM CONNECTOR WITH PEGS	CARDBOARD
91228-3019	SIM CONNECTOR WITHOUT PEGS	PLASTIC



- NOTES:
- MATERIAL :
CARRIER TAPE : VOLUME CONDUCTIVE POLYSTYRENE, 0.40 REF THICK, BLACK
COVER TAPE : COLD SEAL POLYESTER, 0.08 REF THICK TRANSPARENT
 - PITCH TOLERANCE OVER ANY 10 PITCHES + 0.2 MM
 - PEEL FORCE OF THE COVER TAPE IS 0.1 N TO 1.0 N
AT A MAXIMUM REEL SPEED OF 300 MM/MIN + 10%
 - PACKAGING SPEC, PK-91228-002
 - REFERENCE TO IEC 286-3 EXCEPT WHERE NOTED

ADD REEL OPTION EC NO: E2012-0058 DRAWN SHEA 2011/08/31 CHKD: SMC GREEV 2011/09/01 APPROVED: ALAN 2011/10/13	QUALITY SYMBOLS =0 =0	GENERAL TOLERANCES (UNLESS SPECIFIED)		DIMENSION STYLE		SCALE	DESIGN UNITS	THIRD ANGLE PROJECTION	
		m	INCH	MM/IN		1:1	METRIC		
MATERIAL NO. SEE CHART	DESCRIPTION	4 PLACES	±	---	±	DRAWN BY	DATE	TITLE	
		3 PLACES	±	---	±	DMAHER	2006/12/07	BLISTER PACKAGING	
		2 PLACES	±	0.10	±	---	CHECKED BY	DATE	SIM CARD PCB HOUSING
		1 PLACE	±	0.20	±	---	FUGGAN	2006/12/07	
DRAFT WHERE APPLICABLE MUST REMAIN WITHIN DIMENSIONS		ANGULAR ± 2 °		APPROVED BY		DATE	MOLEX INCORPORATED		
THIS DRAWING CONTAINS INFORMATION THAT IS PROPRIETARY TO MOLEX INCORPORATED AND SHOULD NOT BE USED WITHOUT WRITTEN PERMISSION		MATERIAL NO.		DOCUMENT NO.		SHEET NO.			
		SDA-91228-9001		SDA-91228-9001		1 OF 4			

